

# HYBRID STEPPING MOTOR MOD.

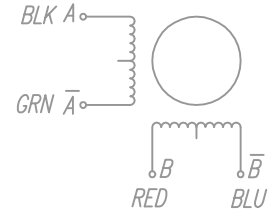
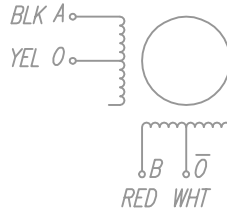
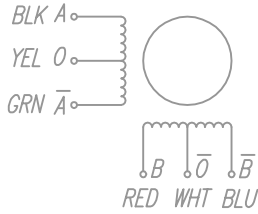
DATE	20070112
EDIT	A

COLORS OF LEAD WIRES *BIPOLAR & UNI-POLAR*

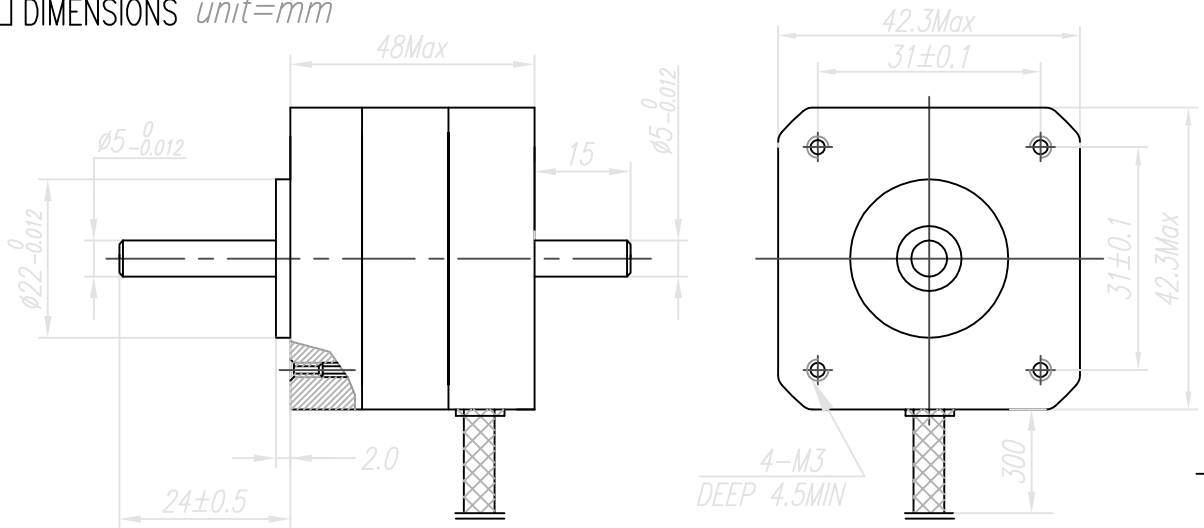
*UNIPOLAR RESP. ONE WINDING*

*BIPOLAR*

*BIPOLAR RESP. BIPOLAR SERIAL*




DIMENSIONS *unit=mm*



SPECIFICATIONS

PHASE	2	PHASE	
STEP ANGLE	1.8±5%	°/STEP	
DETENT TORQUE	2.6	N.cm Max	
INSULATION CLASS	B		
LEAD STYLE	AWG26 UL1007		
	<i>UNIPOLAR RESP. ONE WINDING</i>	<i>BIPOLAR</i>	<i>BIPOLAR RESP. BIPOLAR SERIAL</i>
CURRENT	1.2 A/PHASE	1.2 A/PHASE	0.85 A/PHASE
RESISTANCE	3.6 ±10% Ω/PHASE	3.6 ±10% Ω/PHASE	7.2 ±10% Ω/PHASE
INDUCTANCE	3.2 ±20% mH/PHASE	3.2 ±20% mH/PHASE	12.8 ±20% mH/PHASE
HOLDING TOGQUE	34 N.cm Min	34 N.cm Min	48 N.cm Min

è Æ	20070112	ó È		 <b>MACHI-NET</b> Diseño y Automatización Industrial <a href="http://www.machinet.com.ar">www.machinet.com.ar</a>	17HS8602N-05
? Ö		ú ¼			
				æ ? NR	² ÅÚ Å