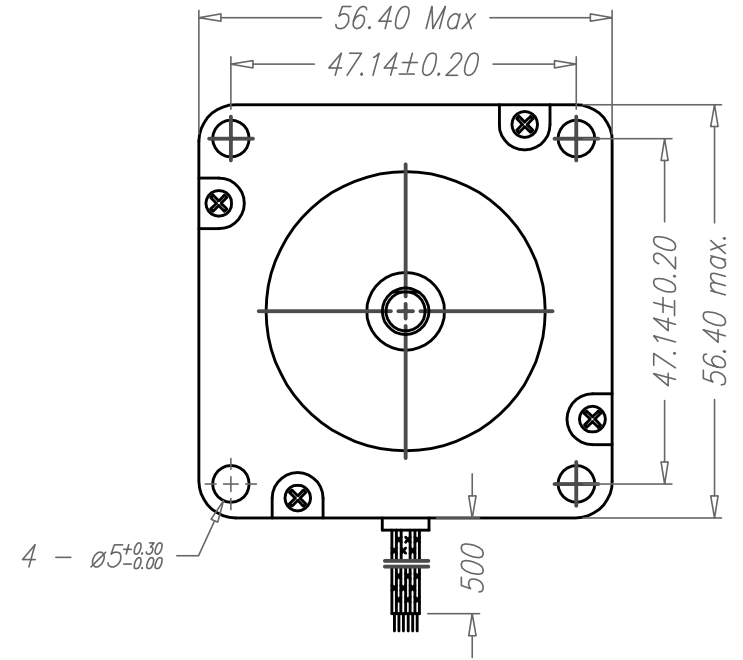
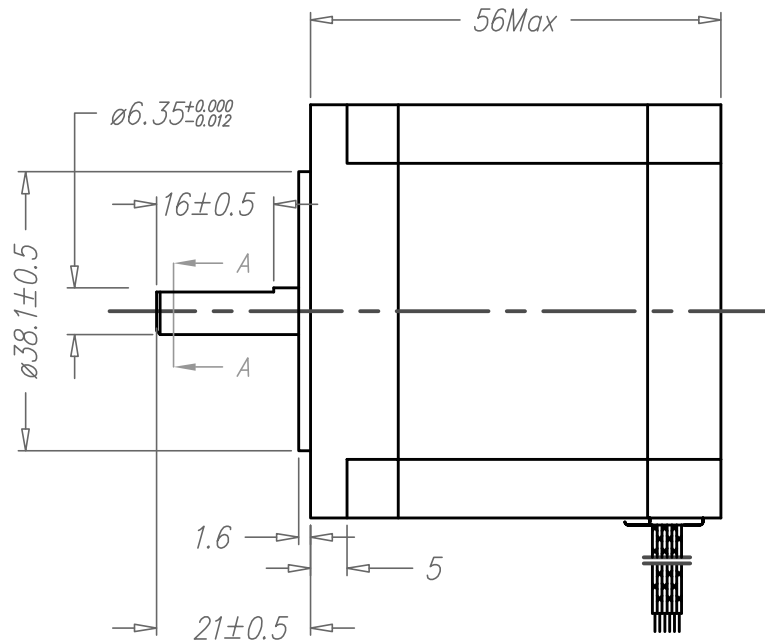
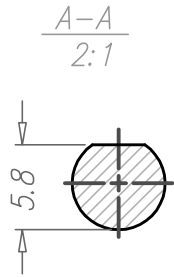
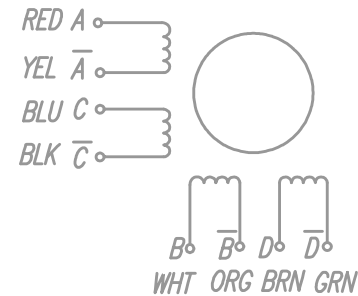


DIMENSIONS



SPECIFICATIONS unit=mm

□ **COLORS OF LEAD WIRES BIPOLAR & UNI-POLAR**



| | | | | |
|------------------|-------------------------------|-----------------------------|-----------------------|--|
| PHASE | 2 | PHASE | | |
| STEP ANGLE | 1.8±5% | °/STEP | | |
| DETENT TORQUE | 3.5 | N.cm Max | | |
| INSULATION CLASS | B | | | |
| LEAD STYLE | AWG22 UL1007 | | | |
| | Dielectric strength : 500 VDC | | | |
| | UNIPOLAR RESP.ONE WINDING | BIPOLAR RESP.BIPOLAR SERIAL | BIPOLAR ONLY PARALLEL | |
| CURRENT | 2.1 A/PHASE | 1.5 A/PHASE | 3.0 A/PHASE | |
| RESISTANCE | 1.5 ±10% Ω/PHASE | 3.0 ±10% Ω/PHASE | 0.75 ±10% Ω/PHASE | |
| INDUCTANCE | 3.0 ±20% mH/PHASE | 12 ±20% mH/PHASE | 3.0 ±20% mH/PHASE | |
| HOLDING TOGQUE | 70 N.cm Min | 80 N.cm Min | 130 N.cm Min | |



www.machinet.com.ar

23HS6808
23HS5608