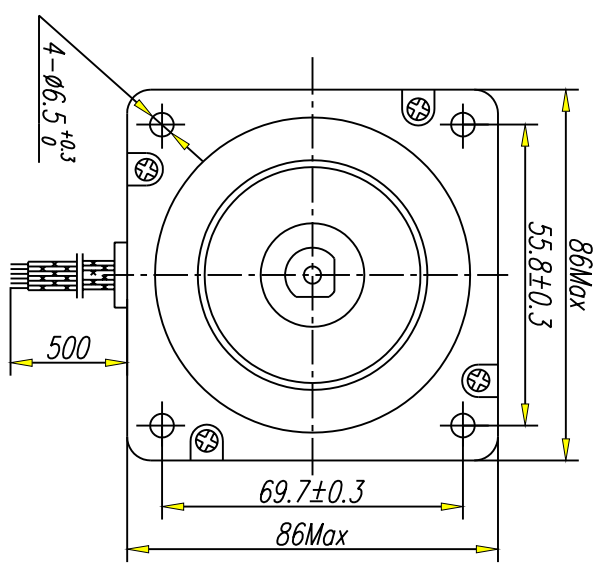
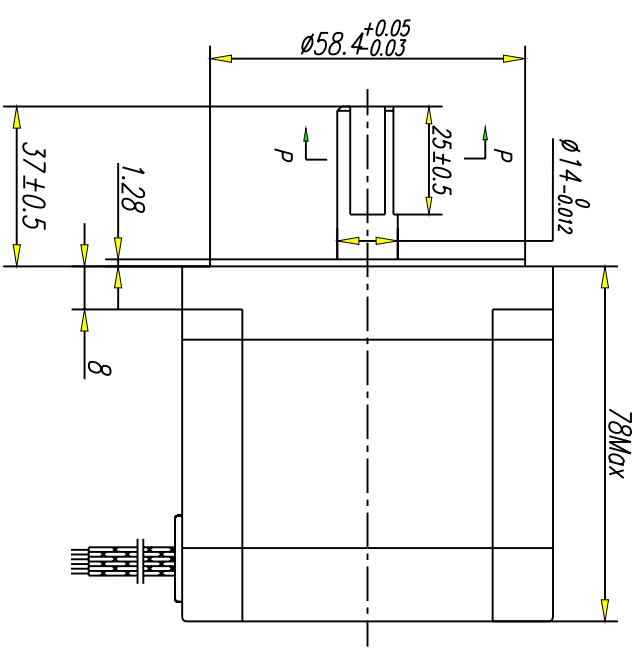
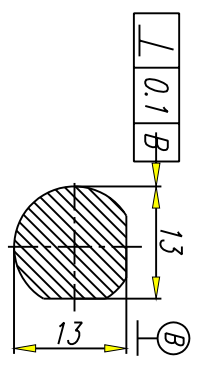


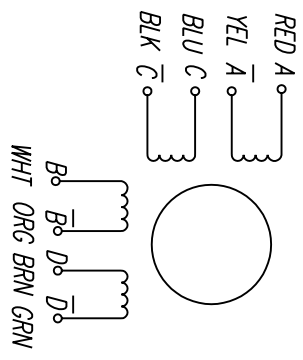
DIMENSIONS

P-P
2:1



SPECIFICATIONS unit=mm

COLORS OF LEAD WIRES BIPOLAR & UNI-POLAR



1	2	3	4	5
PHASE	2	PHASE		
STEP ANGLE	1.8±5%	°/STEP		
DETENT TORQUE	5.5	N.cm Max		
INSULATION CLASS	B			
LEAD STYLE	AWG22 UL1007			
	UNIPOLAR RESP ONE WINDING	BIPOLAR RESP BIPOLAR SERIAL	BIPOLAR ONLY PARALLEL	
CURRENT	4.5	A/PHASE	3.18	A/PHASE
RESISTANCE	0.7 ±10%	Ω/PHASE	1.4 ±10%	Ω/PHASE
INDUCTANCE	3.0 ±20%	mH/PHASE	12 ±20%	mH/PHASE
HOLDING TORQUE	320	N.cm Min	450	N.cm Min

6	7	8
RED A	RED A	
YEL A	YEL A	
BLU C	BLU C	
BLK C	BLK C	
B0	B0	
B0-bar	B0-bar	
D0	D0	
D0-bar	D0-bar	
WHT	WHT	
ORG	ORG	
BRN	BRN	
GRN	GRN	
34HS8008		

